

Installation Information Model 8000

Check the following prior to installation:

Make sure that you have the correct type of bracket. "A" and "B" brackets are front loading, while "F" brackets are bottom loading. "F" brackets are normally supplied.

For "A" or "B" brackets allow at least 5 inches clearance front to back., while the "F" bracket requires 3.5".

Maximum head rail length is 196". Minimum is 20", if hard wired, or 30" if wireless remote control. Maximum blind length is 192".

Does the electrical wiring conform to local codes.

Make sure there are absolutely no obstructions in the area that the blind is to be operated. The blind must not come into contact with any door knob, window crank, furniture, etc.

Installation

Mount brackets on ceiling or wall using counter sunk phillips head screws.

Slide head rail into brackets.

Plastic straps were put on at the factory to immobilize blind during shipping. Remove the straps at this time.

Electrical

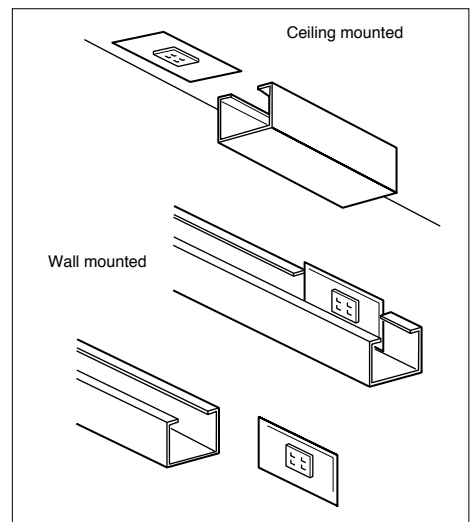
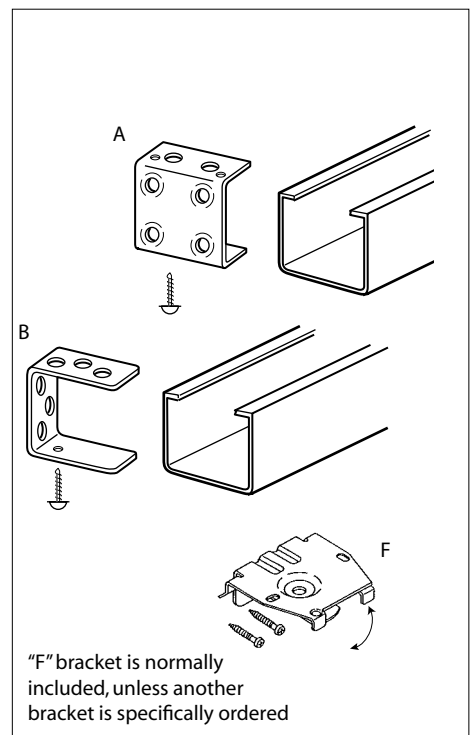
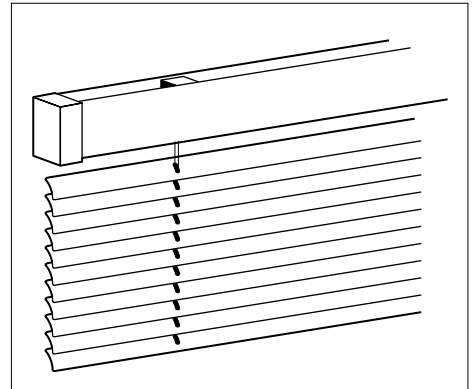
Determine the location of electrical junction box. Placement options are the same whether Model 8000 is to be wireless remote control, hard wired with special plug and receptacle, or direct hard wired.

Ceiling mounted head rail:

Locate receptacle at either end of the head rail at approximately 1.25" on center away from back wall and 3" on center from end of head rail.

Wall mounted head rail:

Locate receptacle at one end of the head rail at approximately 3" on center from either end of rail. Receptacle may be placed either to one side of, or directly behind, head rail.



SM Automatic supplies our products exclusively to the interior window treatment trade industry, including designers, architects, contractors, and subcontractors. Proper installation of our products is the exclusive responsibility of a professional trade company. Motorized systems may be heavier than manual systems, and therefore can require different installation techniques and/or materials for proper installation. In order to ensure proper installation of our products, SM Automatic recommends that installation be performed by an experienced, professional installer, with knowledge of the current industry installation standards and guidelines. **SM Automatic makes no guarantees or warranties, either express or implied, regarding the installation of our products.**