

Installation Information

SM AUTOMATIC General Installations Instructions

All SM Automatic motorized window treatment systems must be installed by experienced professional installers.

SM Automatic provides heavy duty mounting brackets.

Fasteners are not included.

Appropriate fasteners must be used by the installer, as required to securely mount each window treatment system to the ceiling, wall, or window frame.

Since construction materials vary, it is up to the installer to determine which type of fasteners are required.

Since motorized systems are generally heavier than manual systems, extra consideration must be taken when determining the type and quantity of fasteners needed.

Wood backing is recommended for proper and secure attachment of mounting brackets to drywall or plaster walls and ceilings.

SM Automatic supplies motorized systems exclusively to the window covering trade only, and assumes no responsibility for installation.

It is the responsibility of the installer to determine and provide proper fasteners to accommodate the weight and security of the product.

Installers should not hesitate to call SM Automatic with any questions or concerns regarding installation or adjustment of any of our products.

Installation Information Model 5

Check the following prior to installation:

Model 5 load capacity is 100 lbs. of drapery weight, when using a superior quality roller track.

Use a non-stretch cord (see page 10).

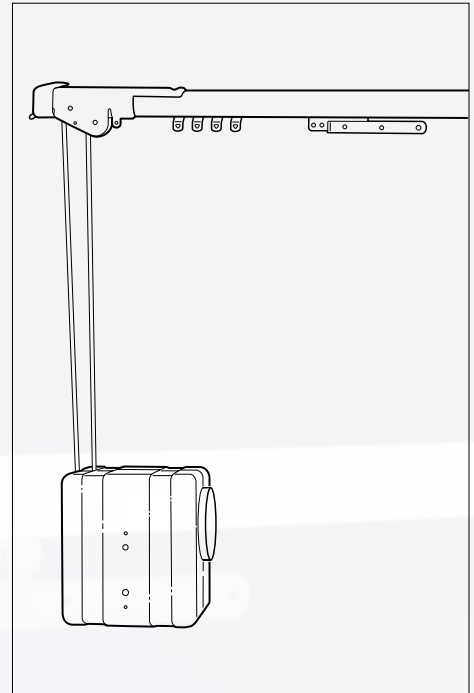
Use track with ball-bearing end pulleys, wide shoe master carriers, and wide shoe metal pendant carriers.

Make sure track, or rod, is secured to the wall, or ceiling, at the end where the motor will be installed.

Use cut-to-measure track or rods, not extension type.

Model 5 is not designed to be used with curved track.

Does the electrical wiring conform to local codes?



Installation

Mount track and select one end for motor location.

Align draw cord with motor pulley. Draw cord loop should fall to the middle of the wall bracket.

Position bracket on wall below the selected end of track at least 18" from floor and 30" below track (maximum of 108" below track). Ensure bracket is high enough so that draperies conceal motor.

Attach bracket to wall using countersunk or flat head screws. Mount with opening facing up and stop guard facing down.

Thread draw cord by feeding cord and looping it around drive wheel; then turn the drive wheel slowly with your finger.

Slide motor into wall bracket allowing it to hang by its own weight, then push it down one or two notches.

Tighten the knob head set screw on the motor bracket.

Test cord tension to permit pulling cord 2 to 4 inches out from the center line.

