

Installation Information

SM AUTOMATIC General Installations Instructions

All SM Automatic motorized window treatment systems must be installed by experienced professional installers.

SM Automatic provides heavy duty mounting brackets.

Fasteners are not included.

Appropriate fasteners must be used by the installer, as required to securely mount each window treatment system to the ceiling, wall, or window frame.

Since construction materials vary, it is up to the installer to determine which type of fasteners are required.

Since motorized systems are generally heavier than manual systems, extra consideration must be taken when determining the type and quantity of fasteners needed.

Wood backing is recommended for proper and secure attachment of mounting brackets to drywall or plaster walls and ceilings.

SM Automatic supplies motorized systems exclusively to the window covering trade only, and assumes no responsibility for installation.

It is the responsibility of the installer to determine and provide proper fasteners to accommodate the weight and security of the product.

Installers should not hesitate to call SM Automatic with any questions or concerns regarding installation or adjustment of any of our products.

Installation Information Model 9300 series

Installation

Model 9300 installation brackets are universal mounting brackets. They may be either wall or ceiling mounted.

The system tube is secured in this bracket by first inserting the idler shaft into the idler bracket. Then insert the motor shaft into the motor bracket and secure it with the cotter pin provided.

Extra precautions must be taken to assure that the brackets are secure and spaced appropriately so there is no slack or movement of the tube system between the brackets. The system needs to be fitted within the brackets perfectly tight.

This is extremely important to avoid the possibility of the idler end slipping out of the idler bracket. Extra care should be taken during the installation process as well.

It is highly recommended that you attach the brackets onto the motorized tube system before installation, to familiarize yourself with the operation of the brackets.

Fasteners are not included.

Please refer to general installation instructions on page 66.

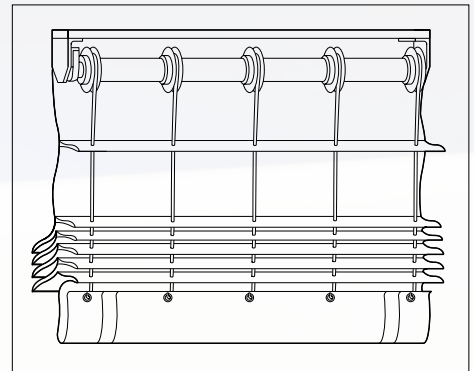
Electrical

Electrical wiring and attachment must conform to local building and electrical codes. Hard wiring for control by a 110VAC SPDT wall switch, or other 110VAC controller, must be done by a licensed electrician.

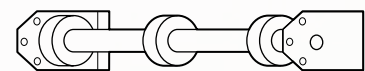
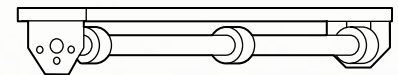
Location of the 110VAC outlet receptacle or junction box should be determined according to the conditions of the window & wall.

The outlet or j-box may be installed in either the ceiling, wall, header, jamb, or any area determined by the electrician.

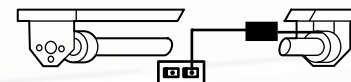
The ideal location of the receptacle is as close to the end of the shade system as possible. It should be installed to be clear of the tube and in a location so it does not interfere with the operation of the shade system.



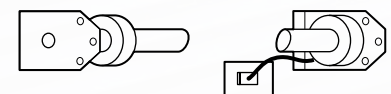
Ceiling Mount



Wall Mount



Wireless Remote Receptacle



Hardwire